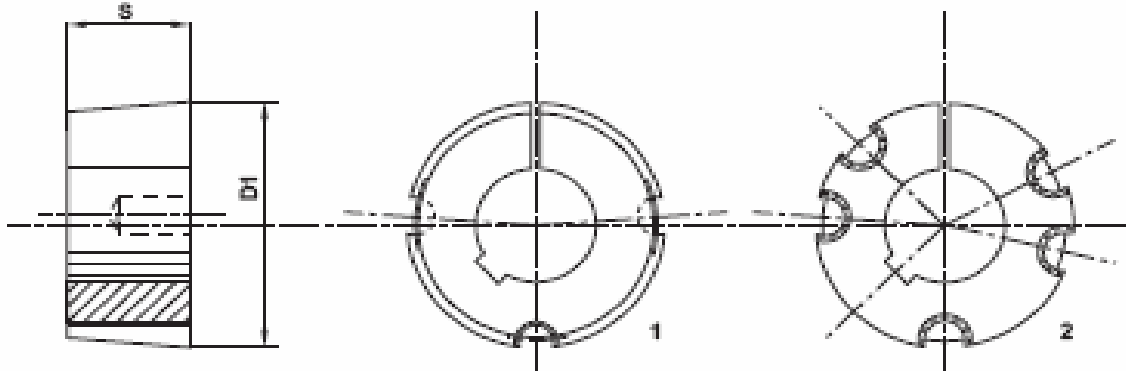




BUSSOLE "TAPER BUSH"



Ghisa EN-GJL-250 UNI EN 1561

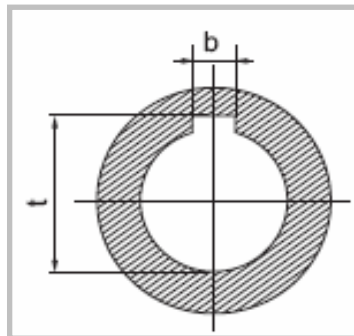
Fori standard serie metrica

Esempio: Codice Foro in mm Ø 14 = 1615014

Tipo Buss.	Cod.	Foro (ISO E 8)	Coppia Trasm. N°m	Viti	D1	Tipo	S	Peso kg
1008	1008...	9-10-11-12-13-14-16-18-19-20-22-24-25	136	1/4"x1/2"	35,0	1	22,3	0,16
1108	1108...	9-10-11-12-13-14-16-18-19-20-22-24-25-28*	147	1/4"x1/2"	38,0	1	22,3	0,16
1210	1210...	11-12-14-16-18-19-20-22-24-25-28-30-32	407	3/8"x5/8"	47,5	1	25,4	0,32
1215	1215...	14-19-20-24-25-28	407	3/8"x5/8"	47,5	1	38,1	0,5
1610	1610...	14-16-18-19-20-22-24-25-28-30-32-35-38-40*-42*	486	3/8"x5/8"	57,0	1	25,4	0,41
1615	1615...	14-16-18-19-20-22-24-25-28-30-32-35-38-40*-42*	486	3/8"x5/8"	57,0	1	38,1	0,6
2012	2012...	14-16-18-19-20-22-24-25-28-30-32-35-38-40-42-45-48-50*	808	7/16"x7/8"	70,0	1	31,8	0,75
2517	2517...	16-18-19-20-22-24-25-28-30-32-35-38-40-42-45-48-50-55-60-65*	1310	1/2"x1	85,5	1	44,5	1,06
3020	3020...	25-28-30-32-35-38-40-42-45-48-50-55-60-65-70-75	2710	5/8"x1" 1/4	108,0	1	50,8	2,5
3030	3030...	35-38-40-42-45-48-50-55-60-65-70-75	2710	5/8"x1" 1/2	108,0	1	76,2	3,75
3525	3525...	35-38-40-42-45-48-50-55-60-65-70-75-80	5060	1/2"x1" 1/2	127,0	2	64,9	4,2
3535	3535...	35-38-40-42-45-48-50-55-60-65-70-75-80-85-90*	5060	1/2"x1" 1/2	127,0	2	88,9	5,13
4030	4030...	40-42-45-48-50-55-60-65-70-75-80-85-90-100*	8740	5/8"x1" 1/2	146,0	2	76,2	6,75
4040	4040...	40-42-45-48-50-55-60-65-70-75-80-85-90-100*	8740	5/8"x1" 3/4	146,0	2	101,6	7,68
4545	4545...	55-60-65-70-75-80-85-90-100*	12400	3/4"x2"	162,0	2	115	10,56
5050	5050...	70-75-80-85-90-100-105-110-115-120-125	14200	7/8"x2" 1/4	177,6	2	127	15,17

Dimensioni delle cave (UNI 6604 DIN 6885) con foro standard serie metrica

D	b	H8	t
Over 10 to 12	4	+0	D+1.3
Over 12 to 17	5	+0	D+2.3
Over 17 to 22	6	+0	D+2.8
Over 22 to 30	8	+0	D+3.3
Over 30 to 38	10	+0	D+3.3
Over 38 to 44	12	+0	D+3.3
Over 44 to 50	14	+0	D+3.8
Over 50 to 58	16	+0	D+4.3
Over 58 to 65	18	+0	D+4.4
Over 65 to 75	20	+0	D+4.9
Over 75 to 85	22	+0	D+5.4
Over 85 to 95	25	+0	D+5.4
Over 95 to 110	28	+0	D+6.4
Over 110 to 130	32	+0	D+7.4



Dimensioni delle cave		
D*	b	t
28*	8	D+1.3
35*	10	D+1.3
40*/42*	12	D+1.3
50*	14	D+2.8
65*	18	D+2.8
90*	25	D+3.4
100*	28	D+5.4